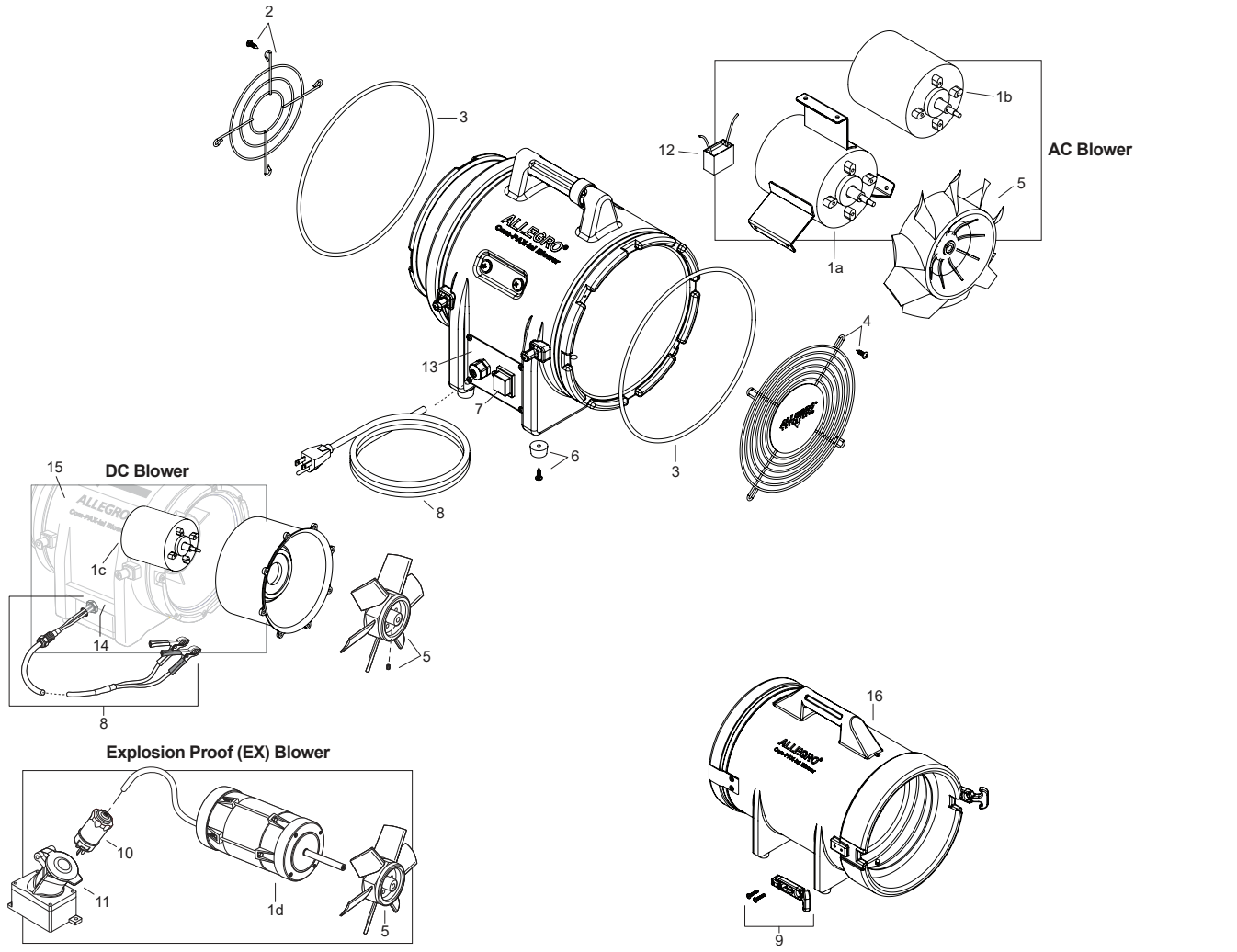




PRODUCT: 8" AXIAL PLASTIC BLOWERS

**PART NUMBER: 9533, 9533-15, 9533-25, 9533-50 (AC)
9536, 9536-15, 9536-25, 9536-50 (DC)
9538, 9538-15, 9538-25, 9538-50 (EX)**



KEY	PART #	DESCRIPTION	KEY	PART #	DESCRIPTION	KEY	PART #	DESCRIPTION
	9533	Axial AC Plastic Blower	1a	9533-03CSA	Motor (AC) 1/3 HP, 115/230V AC (Sold after 2012)	10	9503-02	Plug, 20A/125V (EX)
	9533-15	Axial AC Plastic Blower w/ Compact Canister & 15' Ducting	1b	9533-03	Motor (AC) 1/3 HP, 115V AC (Sold before 2012)	11	9503-03	Receptacle (EX) (sold separately)
	9533-25	Axial AC Plastic Blower w/ Compact Canister & 25' Ducting	1c	9506-10	Motor (DC) 1/3 HP, 12V DC	12	9533-03C	Capacitor, Electric Motor
	9533-50	Axial AC Plastic Blower w/ Canister & 15' Ducting	1d	9513-03EX	Motor (AC) (EX) 1/3 HP w/ Cord	13	9543-12	Switch Plate
	9536	Axial DC Plastic Blower	2	9533-09	Fan Guard w/ Screws (Not sold separately)	14	9533-12	Switch Box
	9536-15	Axial DC Plastic Blower w/ Compact Canister & 15' Ducting	3	9533-05	Canister O-Ring	15	9533-14	8" Chassis
	9536-25	Axial DC Plastic Blower w/ Compact Canister & 25' Ducting	4	9533-07	Fan Grill w/ Screws (Not sold separately)	16	9533-01A	Compact Canister w/o Ducting
	9536-50	Axial DC Plastic Blower w/ Canister & 50' Ducting	5	9533-10	Fan (AC)		9533-01	Compact Canister w/ 15' Ducting
	9538	Axial EX Plastic Blower	6	9536-10	6-Blade Fan (DC)		9533-02	Compact Canister w/ 25' Ducting
	9538-15	Axial EX Plastic Blower w/ Compact Canister & 15' Ducting	7	9538-10EX	Fan (EX)		9538-01	Compact Canister w/ 15' Ducting (EX)
	9538-25	Axial EX Plastic Blower w/ Compact Canister & 25' Ducting	8	9533-06	Feet Kit (Includes 4 Feet & 4 Screws) (Not sold separately)		9538-02	Compact Canister w/ 25' Ducting (EX)
	9538-50	Axial EX Plastic Blower w/ Canister & 50' Ducting	9	9543-13	On/Off Switch	17	9533-02L	Canister w/ 50' Ducting
				9533-04	Electric Cord (10' long)		9538-03	Canister w/ 50' Ducting (EX)
				9506-40	Electric Cord w/ Clamp (DC)			
				9533-08	Canister Latch Kit (Includes Latch, Plastic Parts & Screws) (Not sold separately)			